

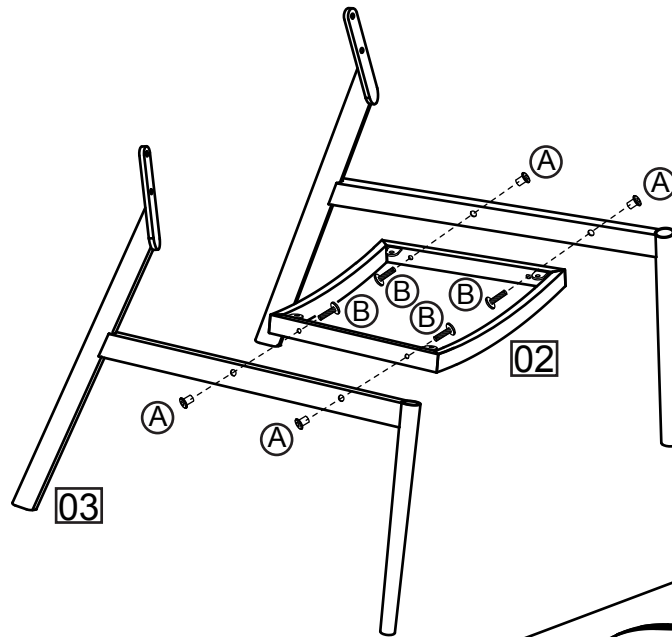
LOUNGE CHAIR SPIKE

ZUIVER^o

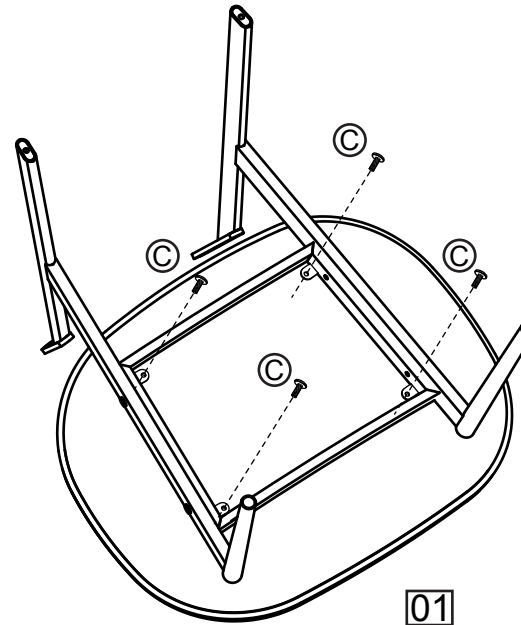
COMPONENT PARTS

FITTINGS

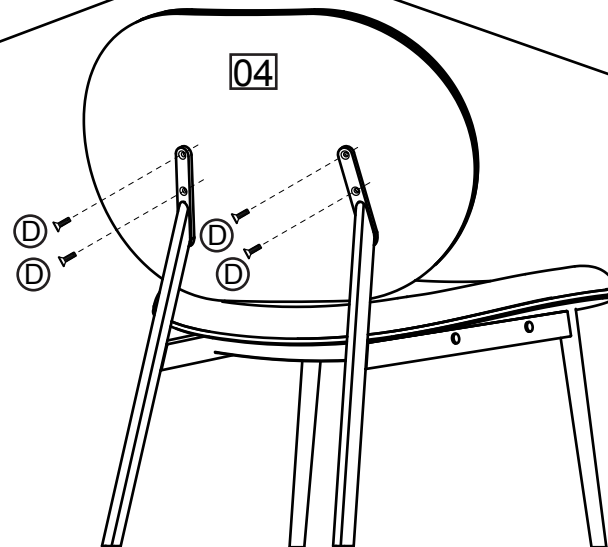
Step1



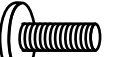



Step2



Step3



- A

×4
 (M6×12MM×φ9MM)
- B

×4
 (M6×30MM)
- C

×4
 (M6×20MM)
- D

×4
 (M6×20MM)

COMPONENT CHECKLIST

PART	No.	Qty.	
Seat	01	1	
Tray	02	1	
Leg	03	2	
Backrest	04	1	

TOOLS REQUIRED

