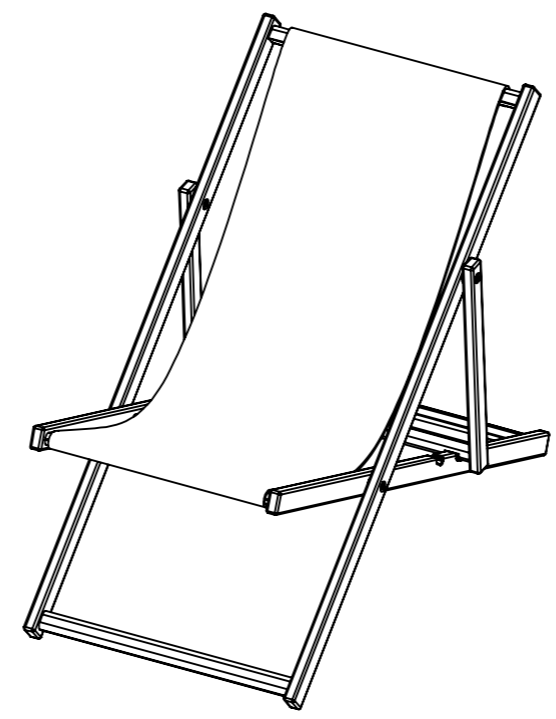
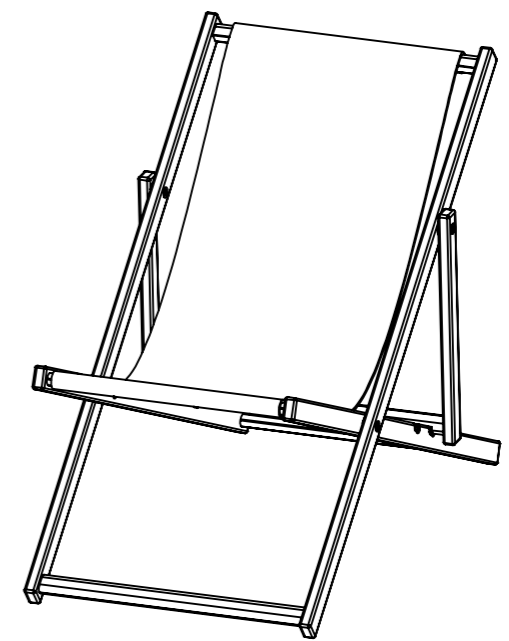


ISOMETRIC



TRIMETRIC



DIMETRIC