

TONONE

technical specifications

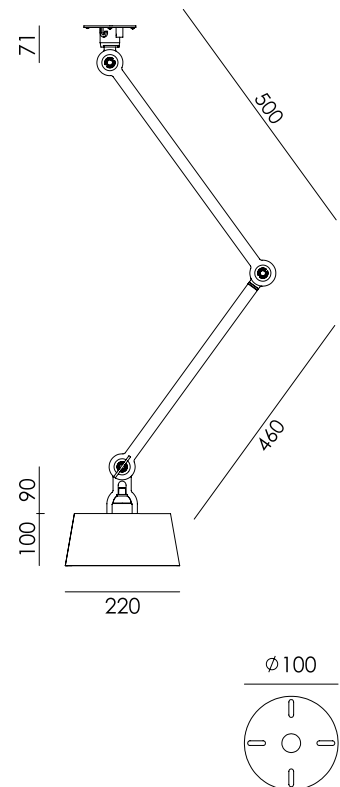
BOLT ceiling 2 arm upper fit

Design by Anton de Groof, 2016



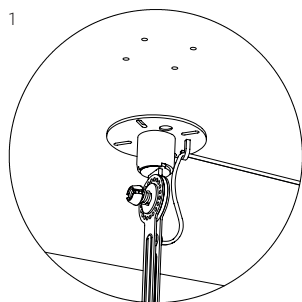
Starting point for the products of Tonone is the passion for traditional mechanics. The first product line that resulted from this fascination is the lamp series 'Bolt'. Key element in this industrial series is the joint construction that can be adjusted with a wingnut-shaped tool. Besides being a functional tool, this wingnut is integrated in the design of the lamp itself as a distinctive visual element. The Bolt collection is available in 29 different models and in 10 colors.

Type	Ceiling lamp
Environment	Indoor
Material	Steel & aluminum
Wingnut	Wingnut Solid Brass included
Cord length	Bolt with cord 2850 mm Bolt install 10 mm
Weight	2,1 kg
Voltage	220-240 V
Max Watt	60 Watt
Socket	E27
IP	20
Lightsource	Lightsource not included
Packaging	
Weight	4,3 kg
Length	75 cm
Width	47 cm
Height	25 cm



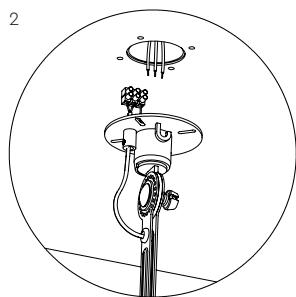
TONONE

technical specifications



With cord

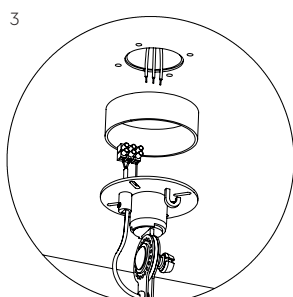
1. With powercord including switch and plug.



Install

2. With terminal block to install directly on a junction box.

3. With optional ceiling ring.



		with cord	install
	smokey black	1192	1328
	flux green	1199	1329
	pure white	1194	1331
	midnight grey	1277	1335
	ash grey	1196	1334
	striking orange	1200	1332
	lightning white	1198	1330
	thunder blue	1197	1333
	daybreak rose	1489	1491
	sunny yellow	1447	1449