

KEPLER

Arihiro Miyake

Pendant lamp in epoxy-coated aluminium, in matt white or black.
Available in uplight and downlight versions for widespread and comfortable lighting. The endless line is made through a 3-dimensional deformation process of extruded aluminium, designed using the mathematics of Moebius ribbons.



KEPLER DOWNLIGHT

LAMPING

Source	linear LED
Total power	65W
Emission	direct
Switching	dimmable 1-10V
Tension	110/240V
Color temperature	2700K
Luminous flux	6300lm
Typ cri	83
Energy class	A+
Materials	aluminium + PC
Notes	cable lenght 2,5m

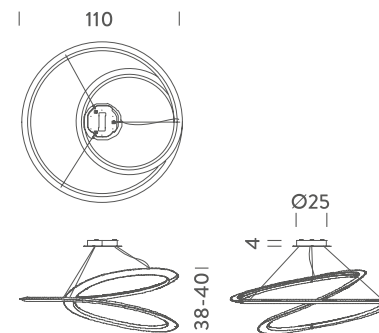
Codes

KEP LNN 54
KEP LWW 54

Structure

black
white

Certificazioni



KEPLER UPLIGHT

LAMPING

Source	linear LED
Total power	65W
Emission	indirect
Switching	dimmable 1-10V
Tension	110/240V
Color temperature	2700K
Luminous flux	6300lm
Typ cri	83
Materials	aluminium + PC
Notes	cable lenght 2,5m

Codes

KEP LNN 53
KEP LWW 53

Structure

black
white

Certificazioni

