

Information: The content of this document, in particular the mentioned models, is protected by copyrights and/or design rights. The present document and its content is communicated to you for information purposes only. Any partial or total reproduction or any other use without our prior written permission is strictly prohibited.

This technical sheet remains subject to possible changes. **All dimensions are in mm**, unless mentioned otherwise. Extremis is not responsible for the errors in the documentation of products. All measurements are approximate and are provided for informational purposes only.

TECH SHEET
20170524

Virus

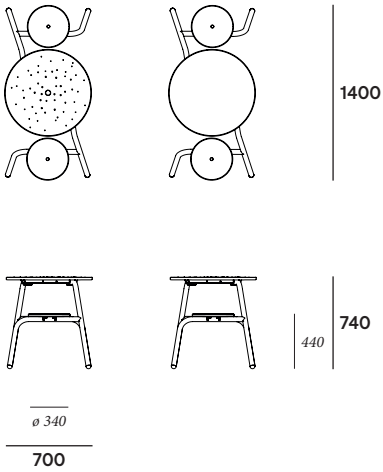
extremis®



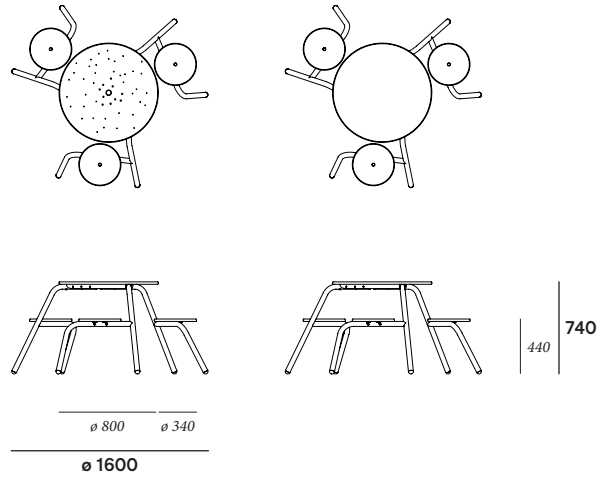
Versions & options:

Indoor & outdoor Virus 2 seater – 3 seater – 4 seater – 5 seater
Backrest – Floor fastening

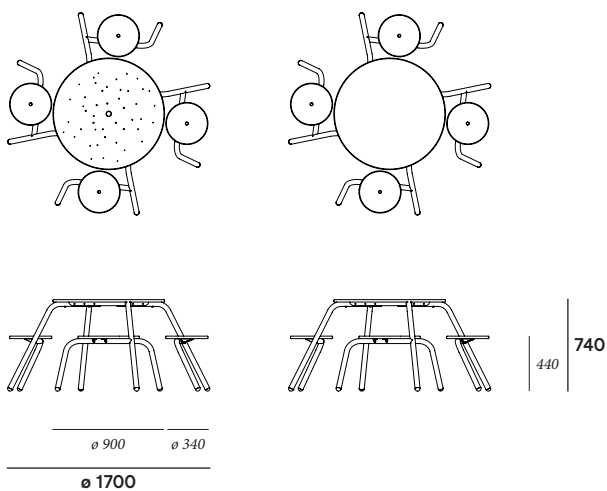
2-seater



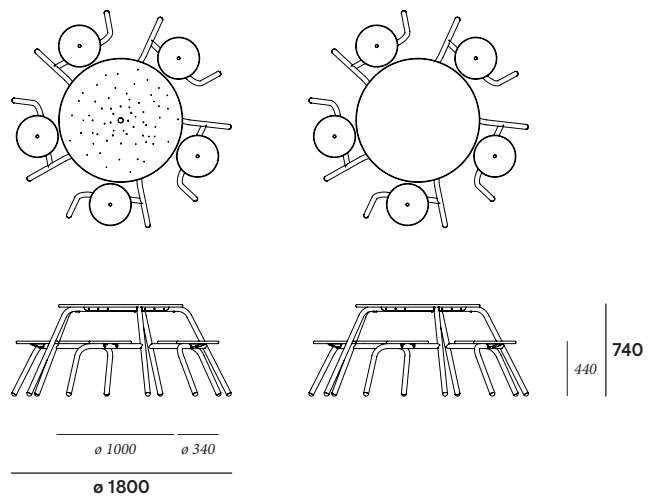
3-seater



4-seater



5-seater



BOX 1: TABLETOP



L/W

BOX 2: LEGS + SEATS



There are **maximum 10 legs & seats per box 2:**

0,53 m³ | Gross weight: 61,60 kg | Net weight: 56,30 kg

e.g.: 5 x Virus 2-seater:

0,53 m³ | Gross weight: 61,60 kg | Net weight: 56,30 kg → *box for legs & seats*

e.g.: 2 x Virus 5-seater:

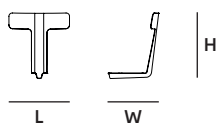
0,53 m³ | Gross weight: 61,60 kg | Net weight: 56,30 kg → *box for legs & seats*

e.g.: 2 x Virus 2-seater + 2 x Virus 3-seater:

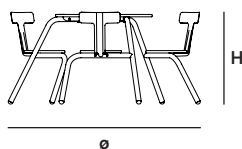
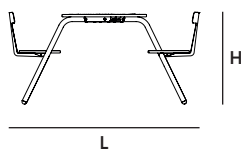
0,53 m³ | Gross weight: 61,60 kg | Net weight: 56,30 kg → *box for legs & seats*

Box dimensions (mm)		L	W	H	Qty (#)	Volume (m ³)	Gross weight (kg)	Net weight (kg)	Packaging weight (kg)
Virus 2-seater indoor / outdoor	Box 1	750	750	70	1	0,03	11,08	9,98	1,10
	Box 2	1138	790	300	1	0,27	16,56	11,26	5,30
					total:	0,30	27,64	21,24	6,40
Virus 3-seater indoor / outdoor	Box 1	850	850	60	1	0,04	14,41	12,41	2,00
	Box 2	1138	790	375	1	0,34	22,19	16,89	5,30
					total:	0,38	36,60	29,30	7,30
Virus 4-seater indoor / outdoor	Box 1	950	950	60	1	0,05	17,03	15,03	2,00
	Box 2	1138	790	375	1	0,34	27,82	22,52	5,30
					total:	0,38	44,85	37,55	7,30
Virus 5-seater indoor / outdoor	Box 1	1050	1050	60	1	0,06	20,45	18,45	2,00
	Box 2	1138	790	450	1	0,40	33,45	28,15	5,30
					total:	0,46	53,90	46,60	7,30

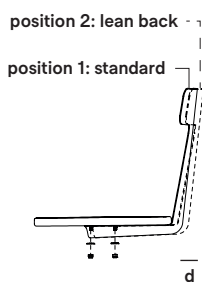
OPTIONAL BACKREST



Dimensions (mm)	L	W	H	d
Backrest	340	280	370	30



Dimensions (mm)	L _{position 1}	L _{position 2}	H	ø _{position 1}	ø _{position 2}
Backrests on 2-seater	1544	1574	760	/	/
Backrests on 3-seater	/	/	760	1644	1674
Backrests on 4-seater	/	/	760	1744	1774
Backrests on 5-seater	/	/	760	1844	1874

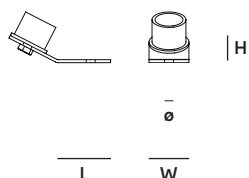


BOX 3: BACKREST



Box dimensions (mm)		L	W	H	Qty (#)	Volume (m ³)	Gross weight (kg)	Net weight (kg)	Packaging weight (kg)
Backrest	Box 1				1			1,23	

OPTIONAL FLOOR FASTENING



Dimensions (mm)	L	W	H	ø
Floor fastening	53	40	27	9

The optional floor fastening is delivered inside the box with the legs & seats: 0,13 kg / pc

FRAME, TABLETOP, SEAT & LEGS



Materials	Key facts	Thickness	Layer thickness	Density	In/outdoor	Water	UV colour fastness	Flame retarding
		mm	micron					
ZnAlMg-coated steel tabletop & seat (indoor / outdoor)	<ul style="list-style-type: none"> A technique of applying dry paint to a part Electrostatically charged and sprayed onto the object 	1,50	60	7,50 10 ³ kg/m ³	Outdoor & indoor	n.a.	Very good: colour can fade a little bit when exposed to UV	NEN-EN 13501-1 A2-s1 **
Powder-coated steel tabletop frame (indoor / outdoor)	<ul style="list-style-type: none"> Easy to clean Electro galvanised (for an extra protection against rust), then powder-coated 	4	100	7,50 10 ³ kg/m ³	Outdoor & indoor	n.a.	Very good: colour can fade a little bit when exposed to UV	NEN-EN13501-1 A1 *
Powder-coated steel tabletop frame (indoor / outdoor) (only for 2-seater)	<ul style="list-style-type: none"> Easy to clean Stainless steel (for protection against rust), then powder-coated 	2	80	8,00 10 ³ kg/m ³	Outdoor & indoor	n.a.	Very good: colour can fade a little bit when exposed to UV	NEN-EN13501-1 A1 *
Powder-coated stainless steel legs (outdoor)	<ul style="list-style-type: none"> Easy to clean Stainless steel (for protection against rust), then powder-coated 	2	80	8,00 10 ³ kg/m ³	Outdoor & indoor	n.a.	Very good: colour can fade a little bit when exposed to UV	NEN-EN13501-1 A1 *
Powder-coated steel legs (indoor)	<ul style="list-style-type: none"> Easy to clean 	4	100	7,50 10 ³ kg/m ³	Outdoor & indoor	n.a.	Very good: colour can fade a little bit when exposed to UV	NEN-EN13501-1 A1 *
Stainless steel 316 floor fastening	<ul style="list-style-type: none"> High rusting resistance Periodical maintenance 	1,50	n.a.	8,00 10 ³ kg/m ³	Outdoor & indoor	n.a.	Very good	NEN-EN13501-1 A1 *

* NEN-EN13501-1 A1

Class A1 products will not contribute in any stage of the fire including the fully developed fire. For that reason they are assumed to be capable of satisfying automatically all requirements of all lower classes.

** NEN-EN13501-1 A2-s1

Satisfying the same criteria as class B for the SBI-test according to EN 13823. In addition, under conditions of a fully developed fire these products will not significantly contribute to the fire load or fire growth.

APPLICATIONS

Residential: Virus is the solution we came up with while designing compact furniture for urban patios, rooftop terraces and balconies. The design responds to the trend for smaller living. The number of seats is variable, so Virus adapts to the number of family members. Perfect for city dwellers!

Contract: For hospitality or corporate lunch areas, indoor and outdoors. Create a landscape of Viruses with matching colours, in different sizes. There is an ideal Virus table for every gathering.

GOOD TO KNOW

1. Acquiring a Virus table is space saving. Virus requires only the exact space that is needed for a company of 2, 3, 4 or 5 people. The identical seating frame is configured around a tabletop that fits exactly what you need for a simple lunch or breakfast. Nothing more, nothing less.
2. There is an indoor and an outdoor version. The outdoor version has a hole pattern in the tabletop.
3. The hole in the tabletop to place an umbrella is $\varnothing 38$ mm.
4. Water draining seat & tabletop (tabletop only for outdoor version).
5. Virus combines perfectly with Inumbrina $\varnothing 25$, $\varnothing 32$.

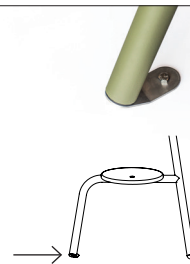


FUN FACT

The holes in the tabletop, for the outdoor versions, are a pattern of stars in the galaxy M101 (Pinwheel Galaxy).

FLOOR FASTENING

Our Virus picnic tables can be fixed to the floor, to prevent them from being moved, or worse, from being stolen. Attaching it to the floor is not always enough however, as bolts can always be unscrewed. We offer a connection piece that replaces the end cap at the bottom of a table leg. We strongly advise to use one piece per seat in order to attach the table firmly. A two-seater needs two anchoring holes, a three-seater needs three anchoring holes, and so on.



MAINTENANCE

Download the manuals from our website for maintenance instructions.

WEBSITE

www.extremis.be/virus