

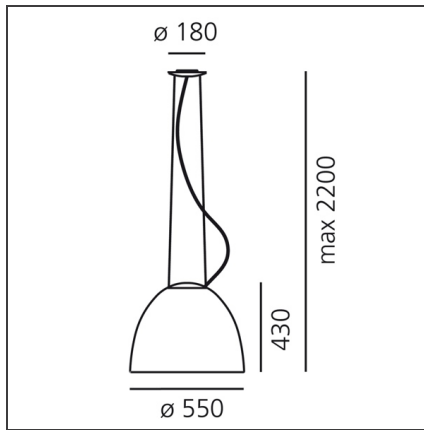
# Nur Gloss LED - Suspension - Black



IP20/40

Dimmerable: + -

## TECHNICAL DRAWINGS



## DESIGN BY

Ernesto Gismondi

## DESCRIPTION

## FEATURES

<b>Article Code:</b>	A243410	<b>Material:</b>	Aluminum, methacrylate, glass
<b>Colour:</b>	Black	<b>Series:</b>	Design
<b>Installation:</b>	Suspension	<b>Area contract:</b>	Hospitality, Office, Residential
<b>Environment:</b>	Indoor	<b>Emission:</b>	Direct/indirect

## DIMENSIONS

<b>Height:</b>	cm 43	<b>Glow Wire Test:</b>	650°C
<b>Max Height from ceiling:</b>	cm 220		

## INCLUDED SOURCES

<b>Category:</b>	LED	<b>Color temperature (K):</b>	2700K
<b>Number:</b>	1	<b>Color Tolerance:</b>	2SDCM
<b>Watt:</b>	45W	<b>CRI:</b>	90
<b>Delivered lumens output (lm):</b>	3955lm		
<b>Type:</b>	0		
<b>Class:</b>	A		

## LUMINAIRE

<b>Power Supply:</b>	Electronic	<b>Delivered lumens output (lm):</b>	2006lm
<b>Watt:</b>	45W	<b>CCT:</b>	2700K
<b>Voltage:</b>	220V-240V	<b>Efficiency:</b>	56%
		<b>Efficacy:</b>	44.58lm/W
		<b>CRI:</b>	90
		<b>Dimmable Typology:</b>	Push

## Notes

A new perfectly smooth and polished finish gives elegance to the classic Nur model. All the versions are encased in a diffuser at the bottom.