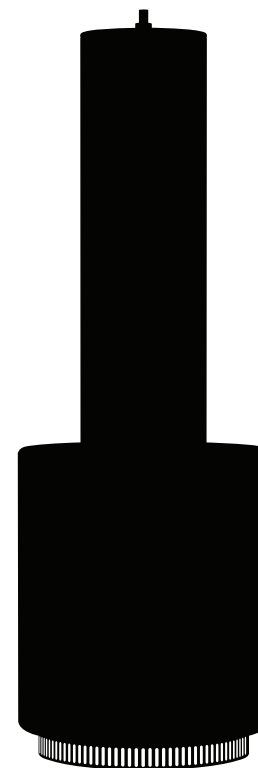


artek
www.artek.fi

LIGHT A110

DESIGN ALVAR AALTO 1952

artek

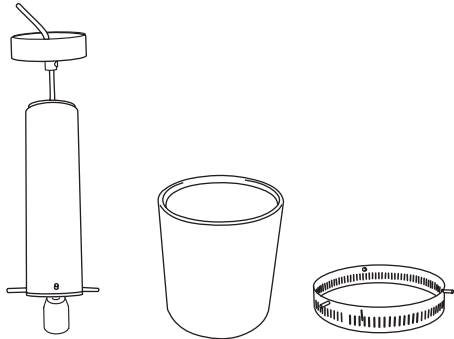


BEFORE YOU START

Read these instructions carefully before commencing installation. Do not attempt to fit installation unless you are competent. If in any doubt consult a qualified electrician. Before commencing installation ensure that the power supply is disconnected at the fuse box. The lighting is intended for use in a normal dry indoor environment. Avoid mounting the fitting on a damp surface as this may cause discoloration of the finish.

CONTENTS

Tools are needed if the fittings are mounted using a connector block: Insulation tape, an approved connector block, screwdriver.



1 x light fittings

1 x shade

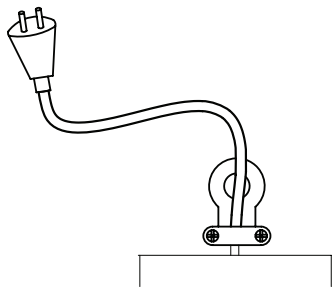
1 x ornamental ring

CLEANING INSTRUCTIONS AND CARE

Take care when handling and installing to avoid damage to the product. Do not use any chemical or abrasive agents or water to clean the shade. A non-static duster can be used to clean the shade.

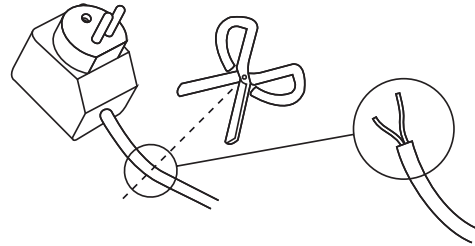
PENDANT ASSEMBLY

Use the plastic hook to secure your light on the ceiling and plug it in you main cable. Use cable grip to change the length of the cable.



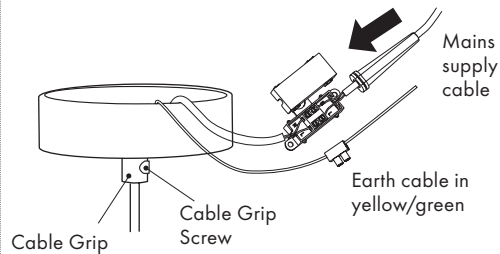
WIRING

Before commencing installation ensure that the power supply is disconnected at the fuse box. Remove the two pin plug from the cable and strip the wires as per diagram below.



1

Unfasten grub screw at the cable grip.

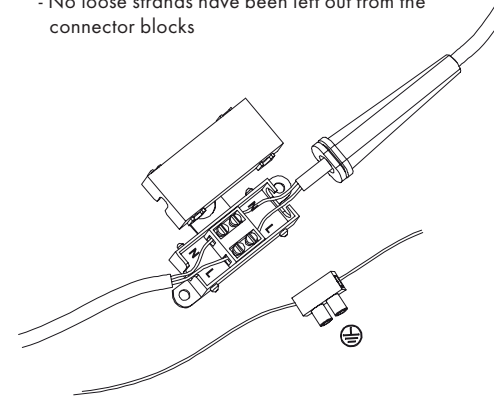


2

Connect the fitting and the connector block to the mains cable as shown. If needed, cover with insulation tape.

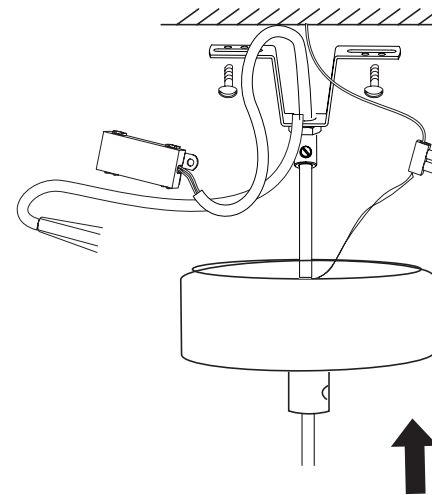
Check that:

- There is an earth conductor connected to the incoming earth at the fuse box
- You have identified the mains cable correctly
- The connections are tight
- No loose strands have been left out from the connector blocks



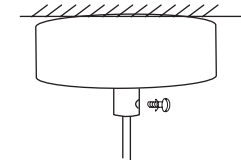
3

Assemble the pendant cup components onto the ceiling as shown below. Assemble the pendant cup onto the ceiling bracket. Ensure that the cable is not stressed/pressed against anything.

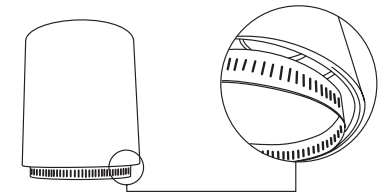


4

Control cable's length by unscrewing the cable grip screw and sliding the cable through.



Using its locators, insert the ornamental ring onto the shorter inner lip inside the shade.



Using the locators on the tube and the longer lip on the shade add the shade onto the fittings. Restore power at the fuse box. Your product is now ready for use.

