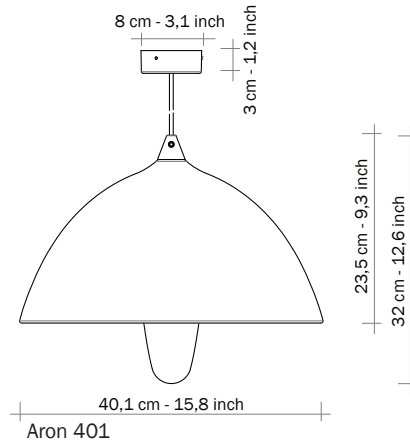
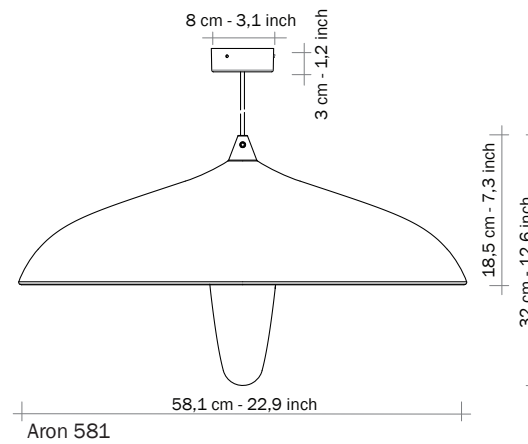


# ARON

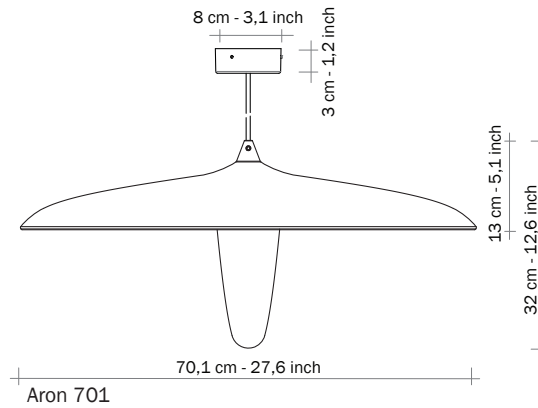
## BERTJAN POT



Aron 401



Aron 581



Aron 701



Aron 401



Aron 581



Aron 701

### SPECIFICATIONS

#### Lampshade:

Aluminium, 1,5mm thick, powder coated in textured white.

#### Cylinder:

Glass, sandblasted.

#### Cable length:

295 cm - 116,1 inch

#### Light Source:

Fitting E27

Max. 60 Watt

220 V

#### Energy class:

Lamp is suitable for bulbs of energy class A++, A+, A, B, C, D and E. Lamp is sold with a bulb of energy class E.

#### Weight:

Aron 401: 2,3 kg - 5,1 lb.

Aron 581: 2,7 kg - 5,6 lb.

Aron 701: 3,3 kg - 7,3 lb.

### 3D-FILES OR HR-IMAGES

Check: [www.functionals.eu/downloads](http://www.functionals.eu/downloads)