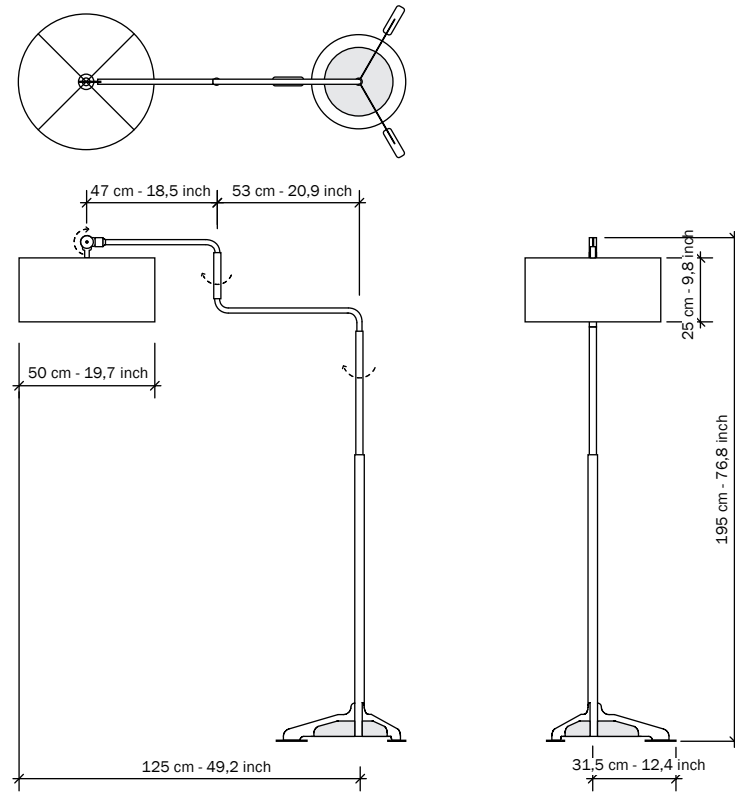


SWIVEL FLOOR

DICK VAN HOFF



SPECIFICATIONS

Frame:

Steel tubing, powder coated in textured black, Two swivel points.

Base:

5 mm massive steel, weight down by three unfinished concrete parts. Felt is attached to the bottom of the base.

Lampshade:

Polyester, black or white, Can be swivelled to desirable angle.

Cable length:

180 cm - 70.9 inch

Light Source:

EU: Fitting E27

Max. 60 Watt

220 V

USA: Fitting E26

Max. 60 Watt

110 V

Energy class:

Lamp is suitable for bulbs of energy class A++, A+, A, B, C, D and E.

Lamp is sold with a bulb of energy class E.

Weight:

21,7 kg - 47,8 lb.

3D-FILES OR HR-IMAGES

Check: www.functionals.eu/downloads