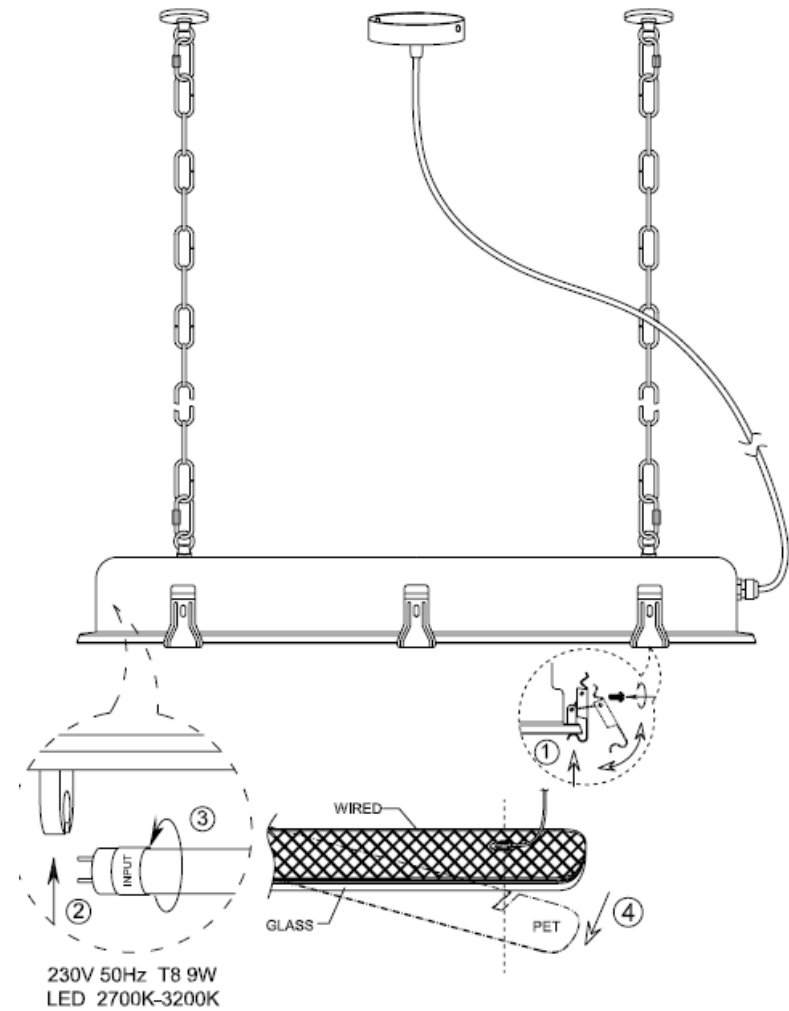
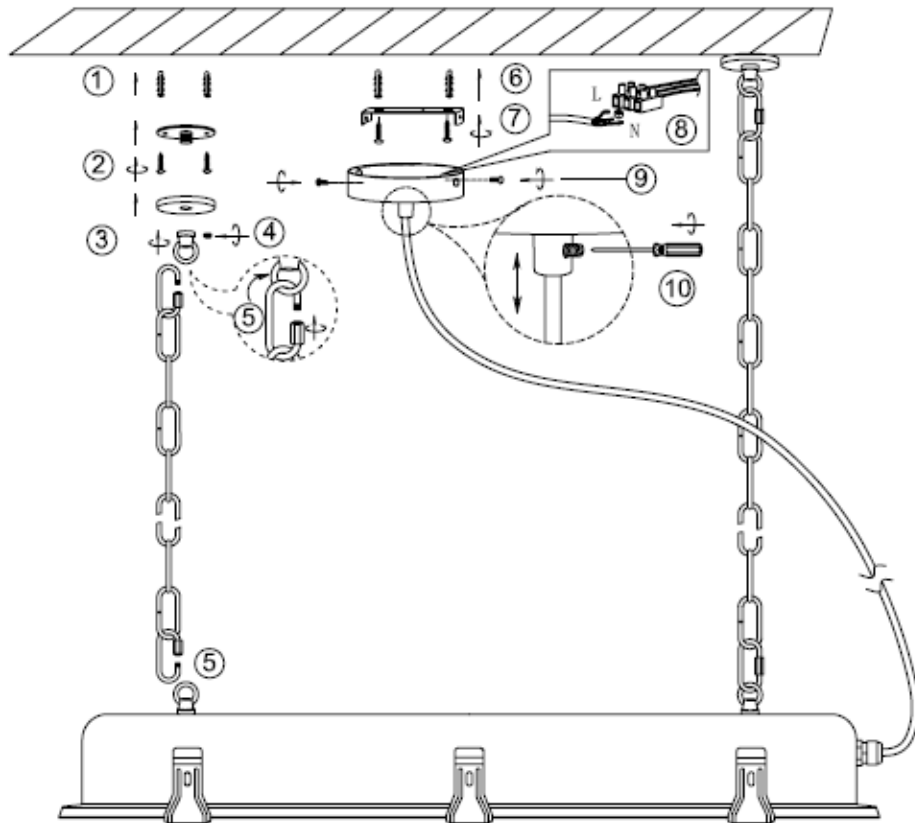


Assembly Instruction

1. Before assembling, be sure to turn off the main switch
2. Don't use hard or sharp things to touch the shade in order to avoid scratching.
3. Keep away from children: don't let them touch the electric parts of this lamp.
4. The bulb is only replaceable with the same type of LED bulb and not suitable for other than LED
5. Please take off the PET sheet if you think the light is too dark.

If (part of) the cable of this lamp is damaged, it should only be replaced by the manufacturer or his service agent or similar qualified person in order to avoid a hazard.

zuiver^o



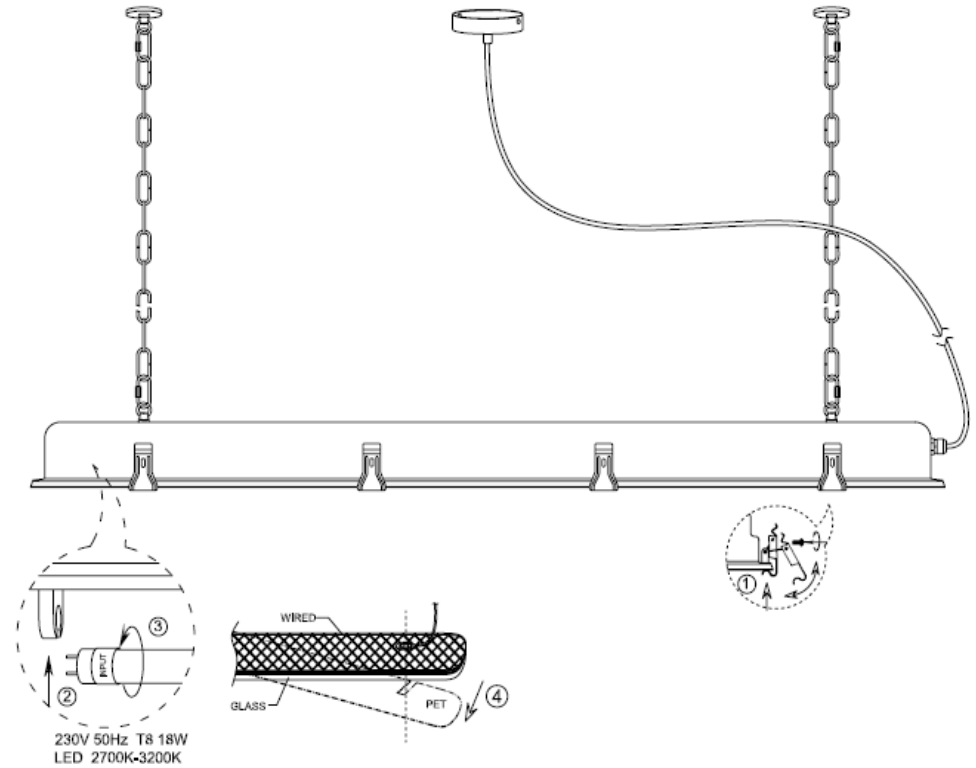
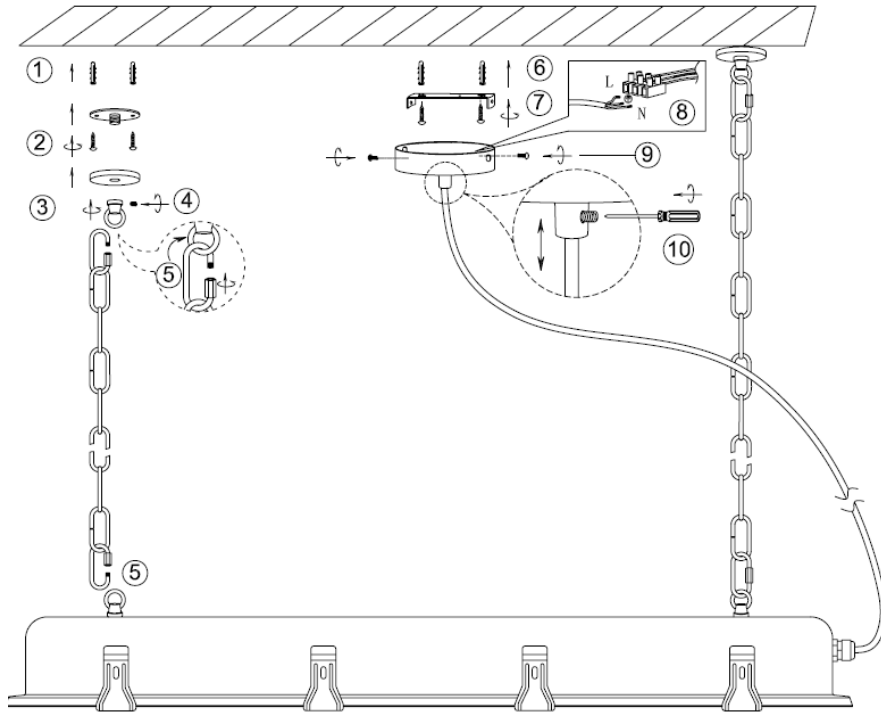
Item Number: 5300090;5300091

Assembly Instruction

1. Before assembling, be sure to turn off the main switch
2. Don't use hard or sharp things to touch the shade in order to avoid scratching.
3. Keep away from children: don't let them touch the electric parts of this lamp.
4. The bulb is only replaceable with the same type of LED bulb and not suitable for other than LED
5. Please take off the PET sheet if you think the colour is too dark.

If (part of) the cable of this lamp is damaged, it should only be replaced by the manufacturer or his service agent or similar qualified person in order to avoid a hazard.

zuiver^o



Item Number: 5300092;5300093