

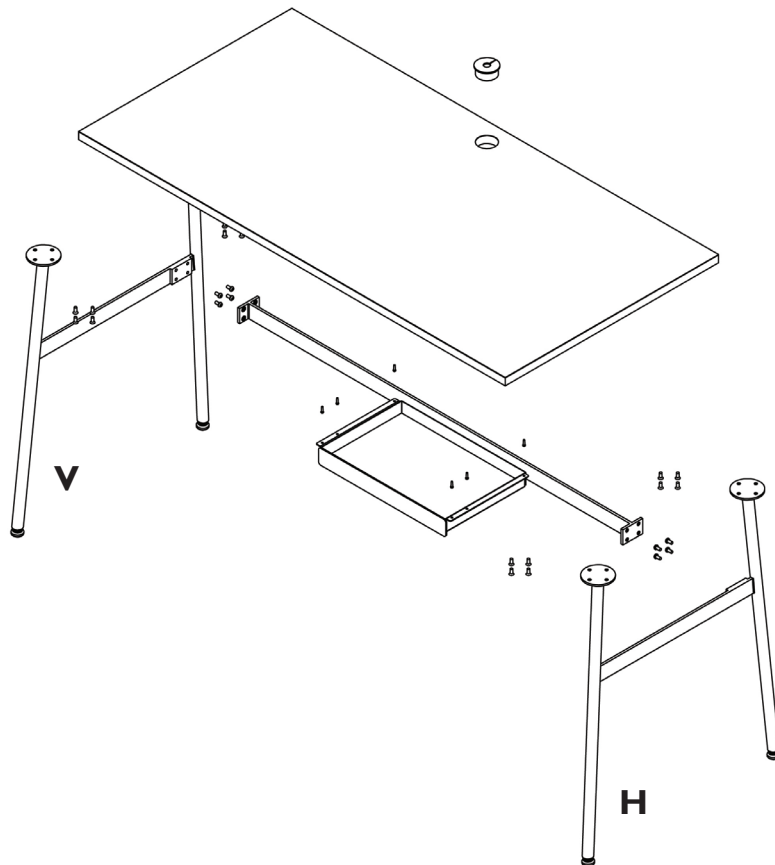
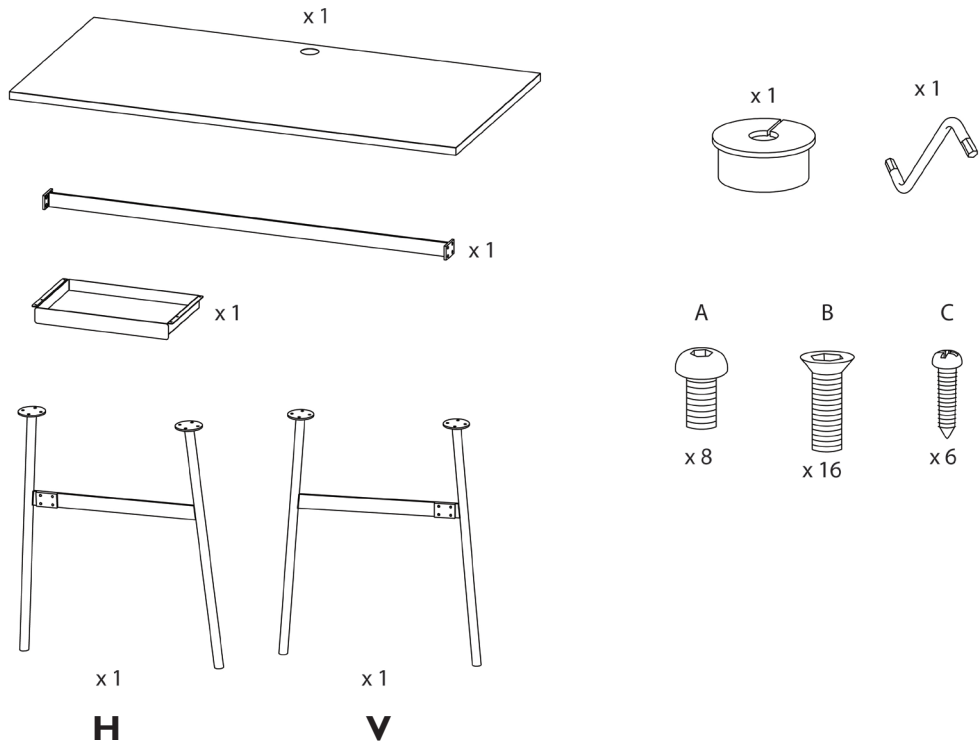
# normann

C O P E N H A G E N



# JOURNAL DESK ASSEMBLY INSTRUCTIONS

# OVERVIEW



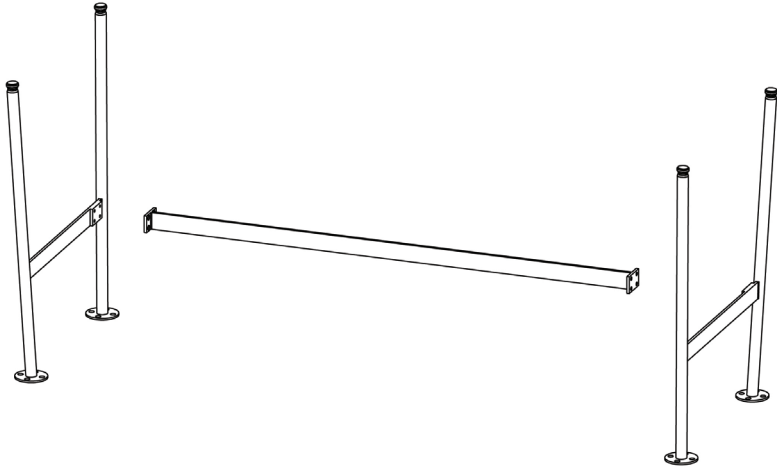
**normann**

C O P E N H A G E N

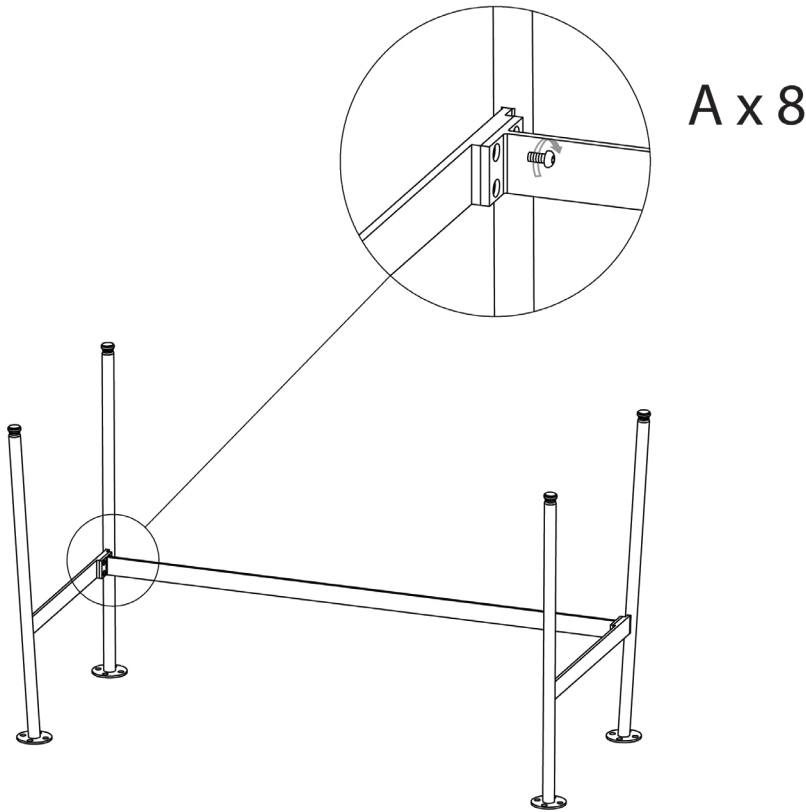
**JOURNAL DESK - ASSEMBLY MANUAL**

---

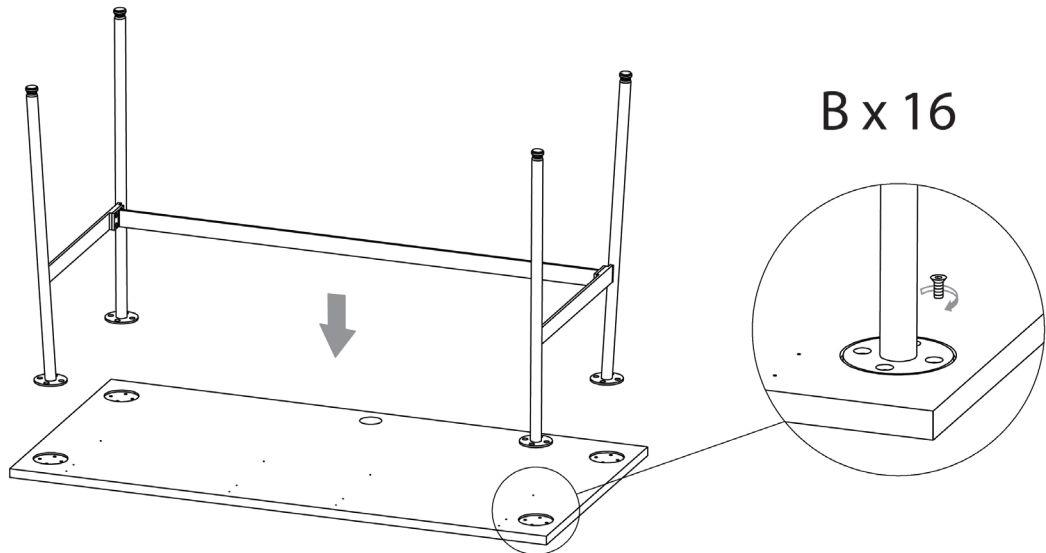
**1**



**2**

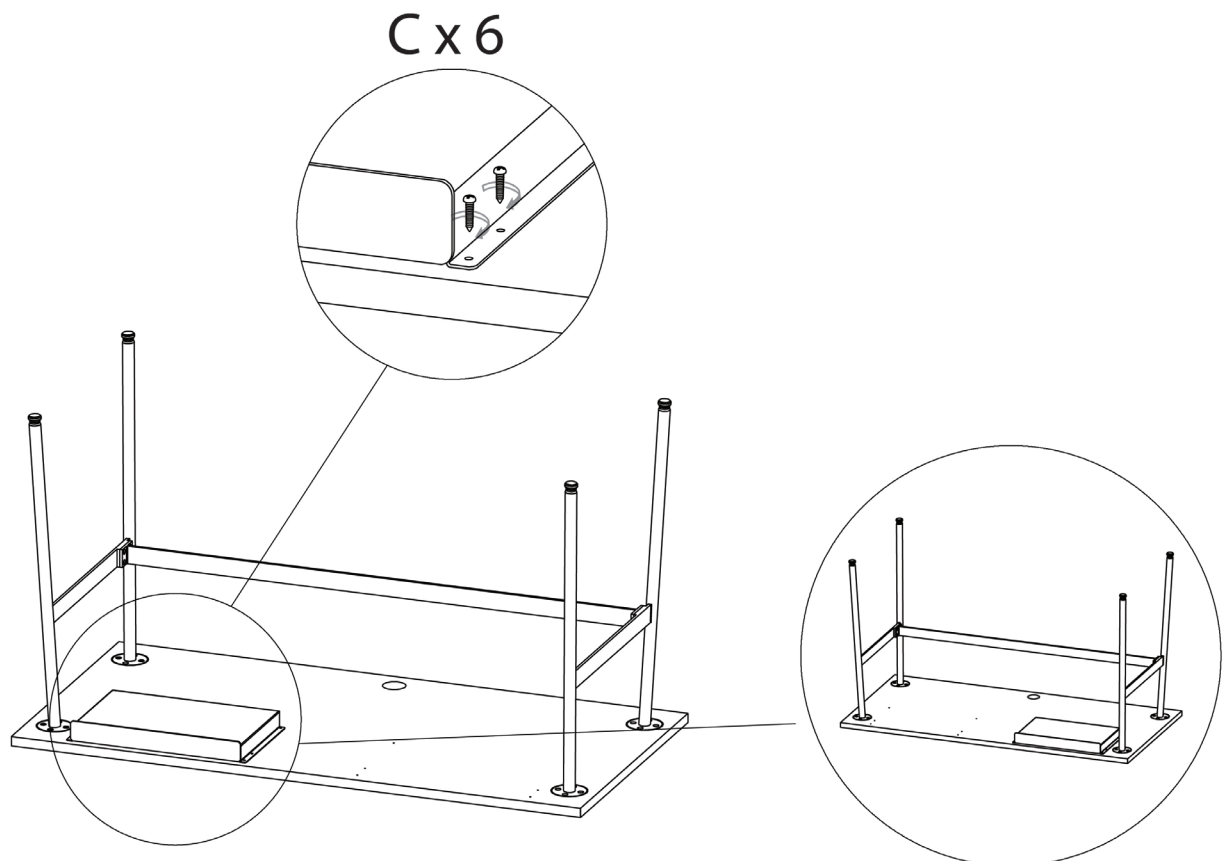


**3**



---

**4**



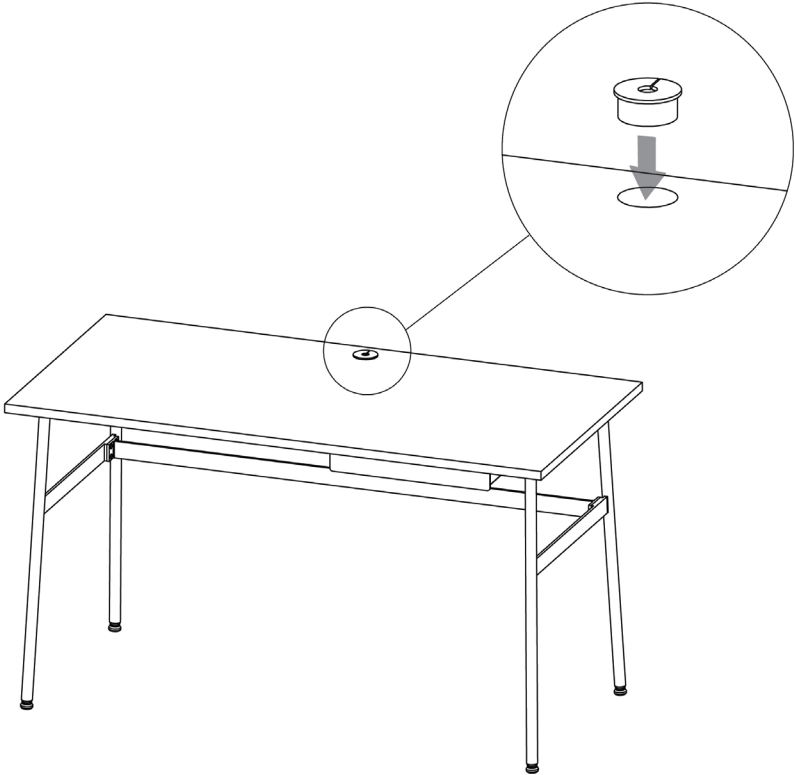
**normann**

C O P E N H A G E N

**JOURNAL DESK - ASSEMBLY MANUAL**

---

**5**



**normann**

C O P E N H A G E N

Normann Copenhagen · Østerbrogade 70  
2100 Copenhagen Ø · Denmark · Tlf. +45 35 55 44 59  
normann-copenhagen.com · normann@normann-copenhagen.com