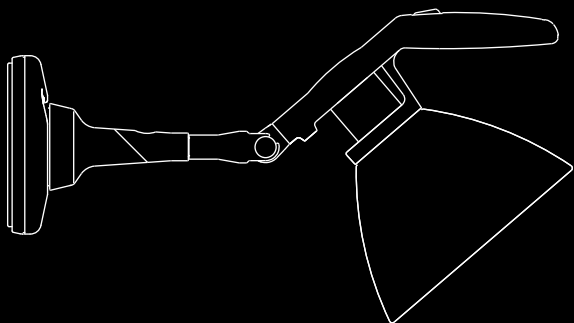


FORTEBRACCIO

design Alberto Meda / Paolo Rizzato

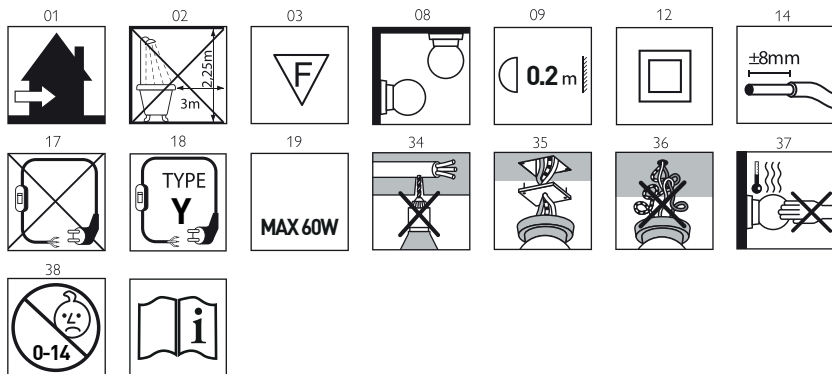


**LUCE
PLAN**

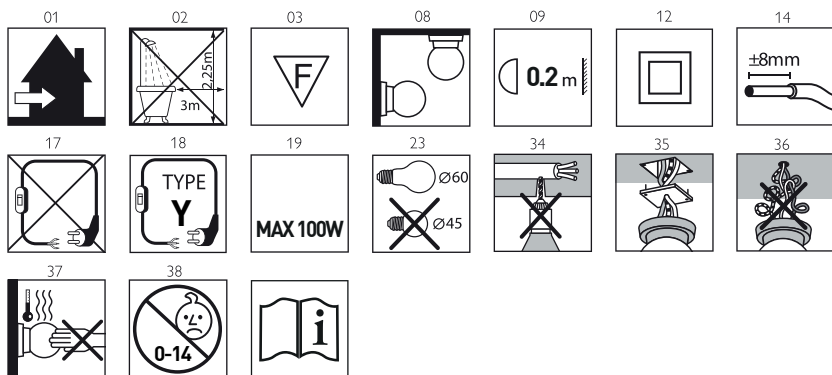
D33



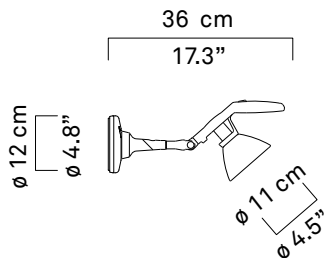
D33Nsp.60



D33Nsp.100

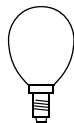


D33Nsp.60

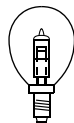


kg 0,7 kg

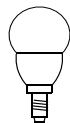
lb 1.5 lb



max 60W
E14

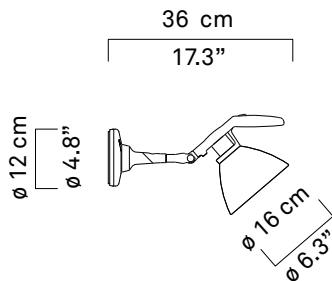


42W
HSGSA
E14
energy saver



LED 5W
2800 K
400 lm
E14

D33Nsp.100

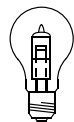


kg

lb 1.5 lb



max 100W
E27



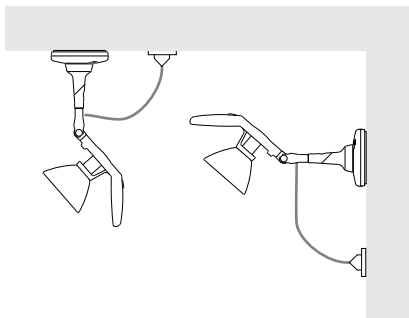
70W
HSGSA
E27
energy saver



42W
Spot R63
E27
energy saver

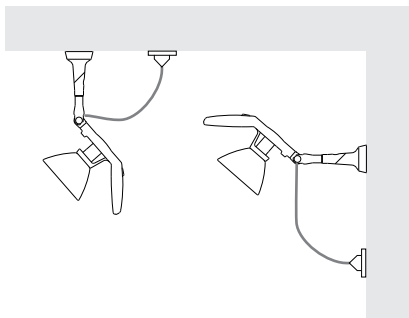
1

(p. 5)



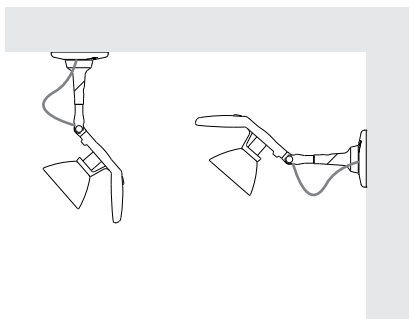
2

(p. 8)

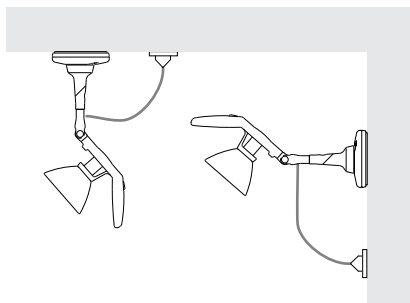


3

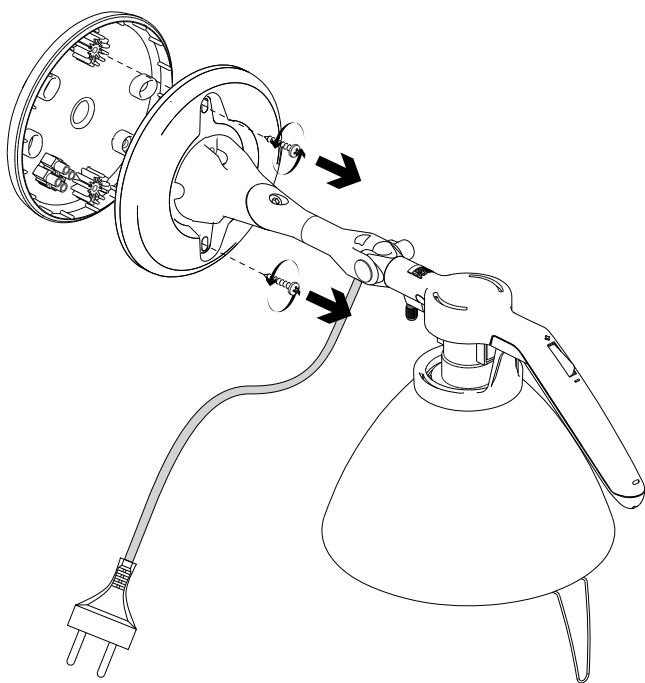
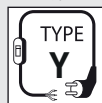
(p. 10)



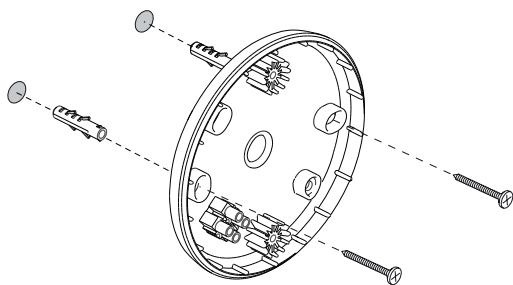
1



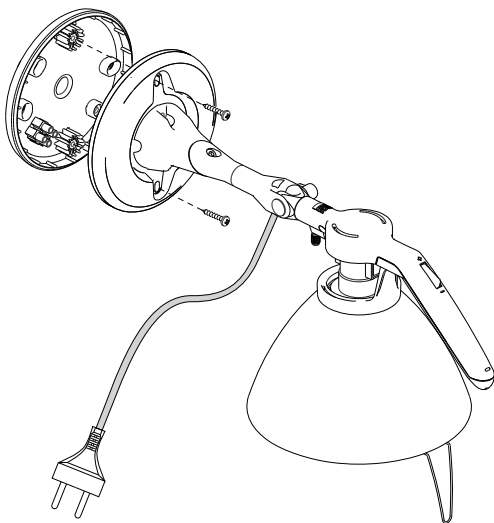
18



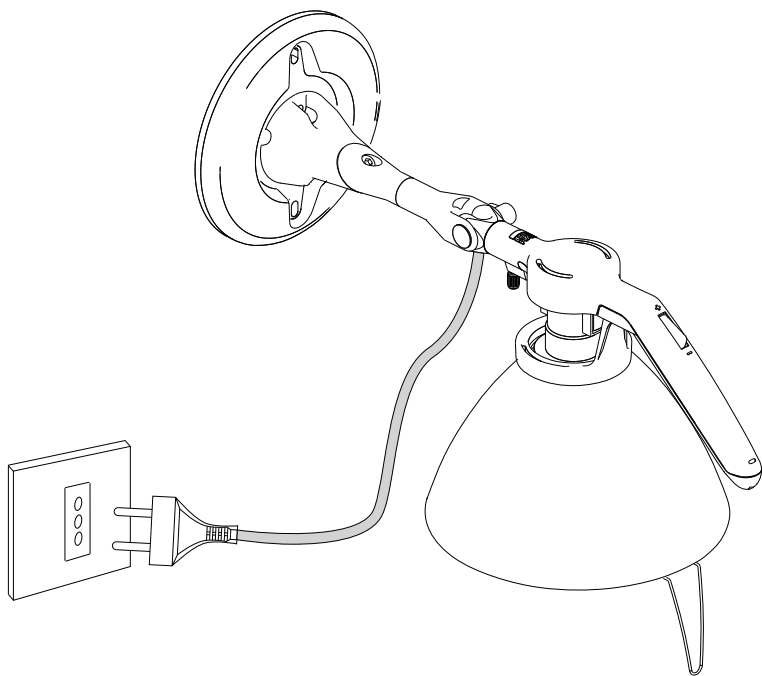
1.1



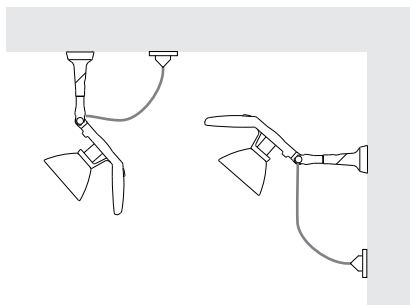
1.2



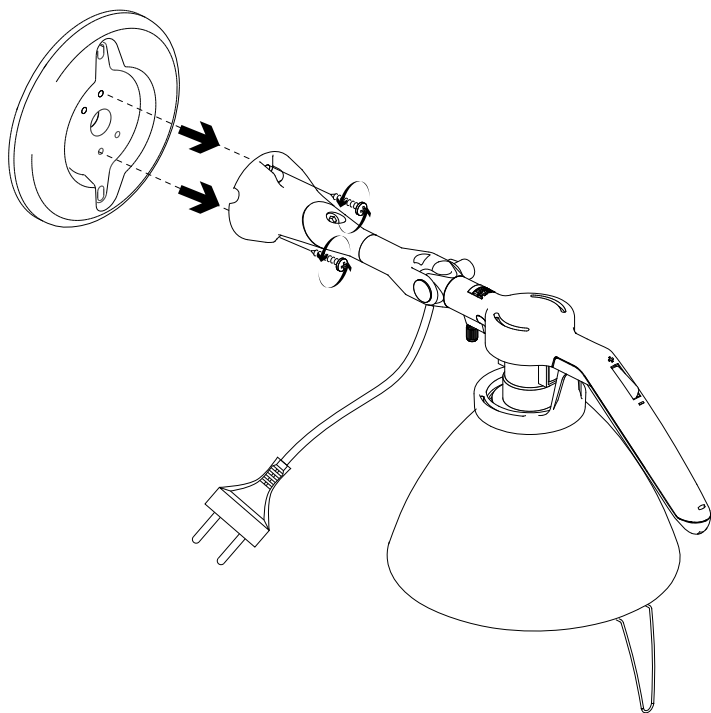
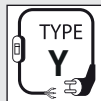
1.3



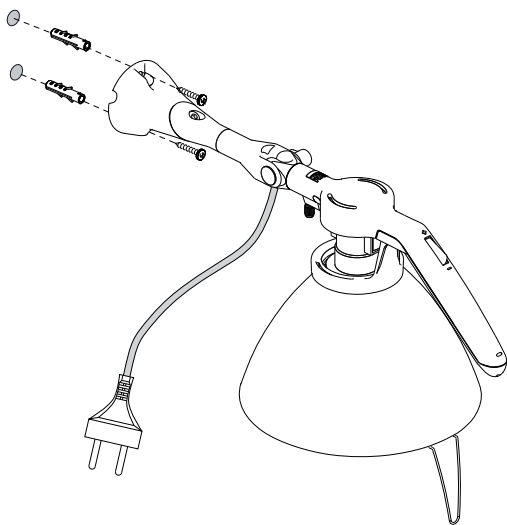
2



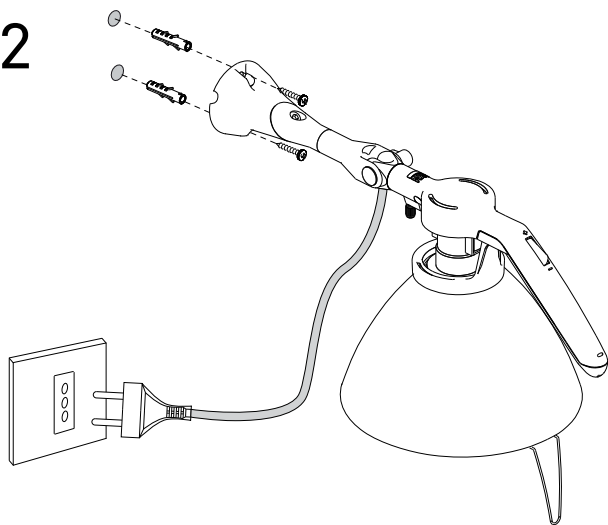
18



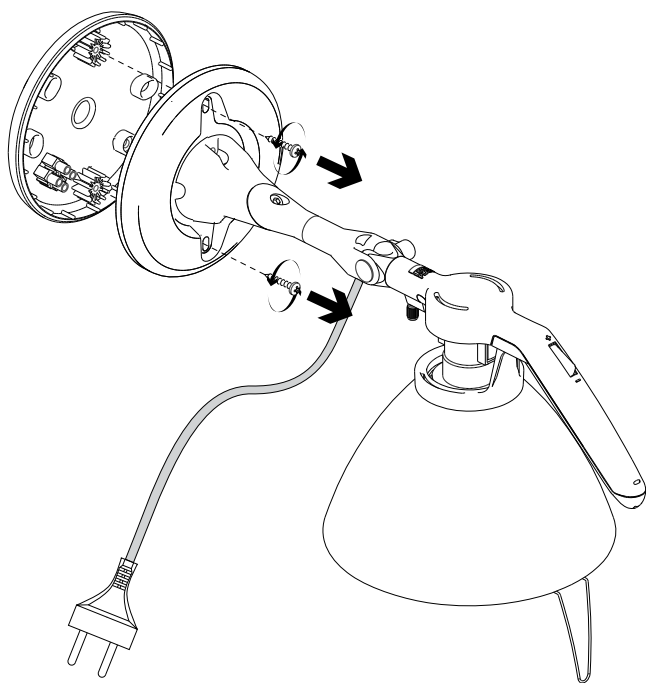
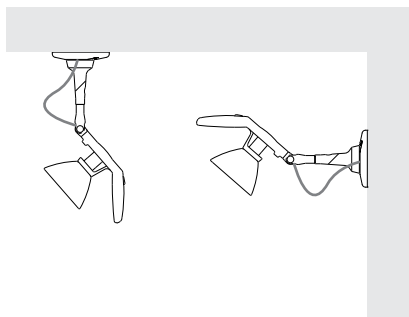
2.1



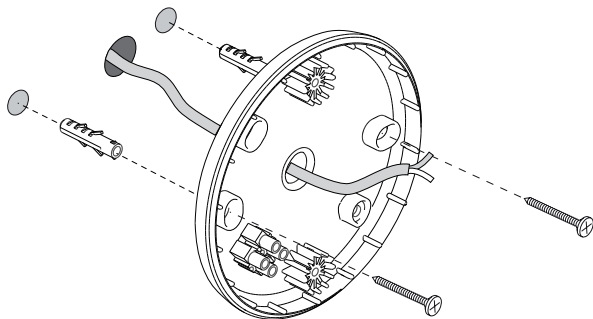
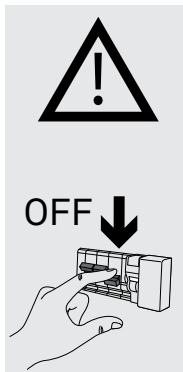
2.2



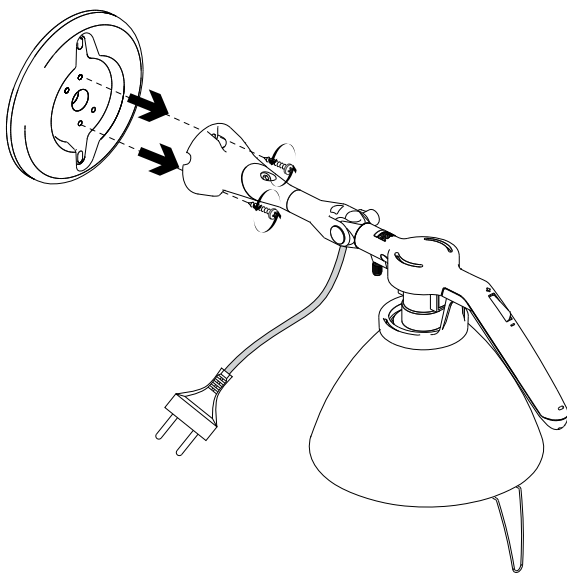
3



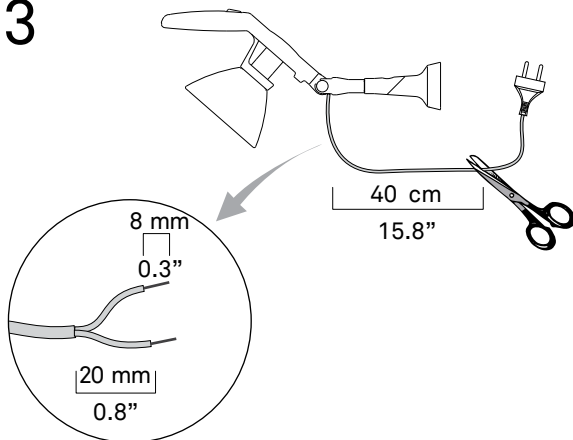
3.1



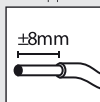
3.2



3.3



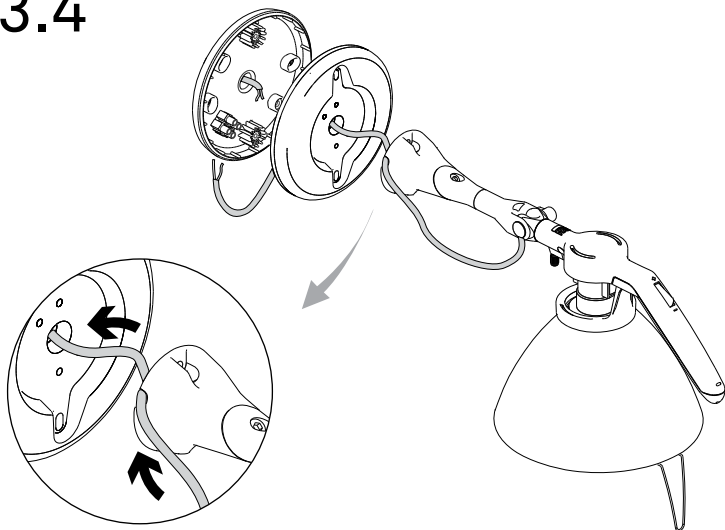
14



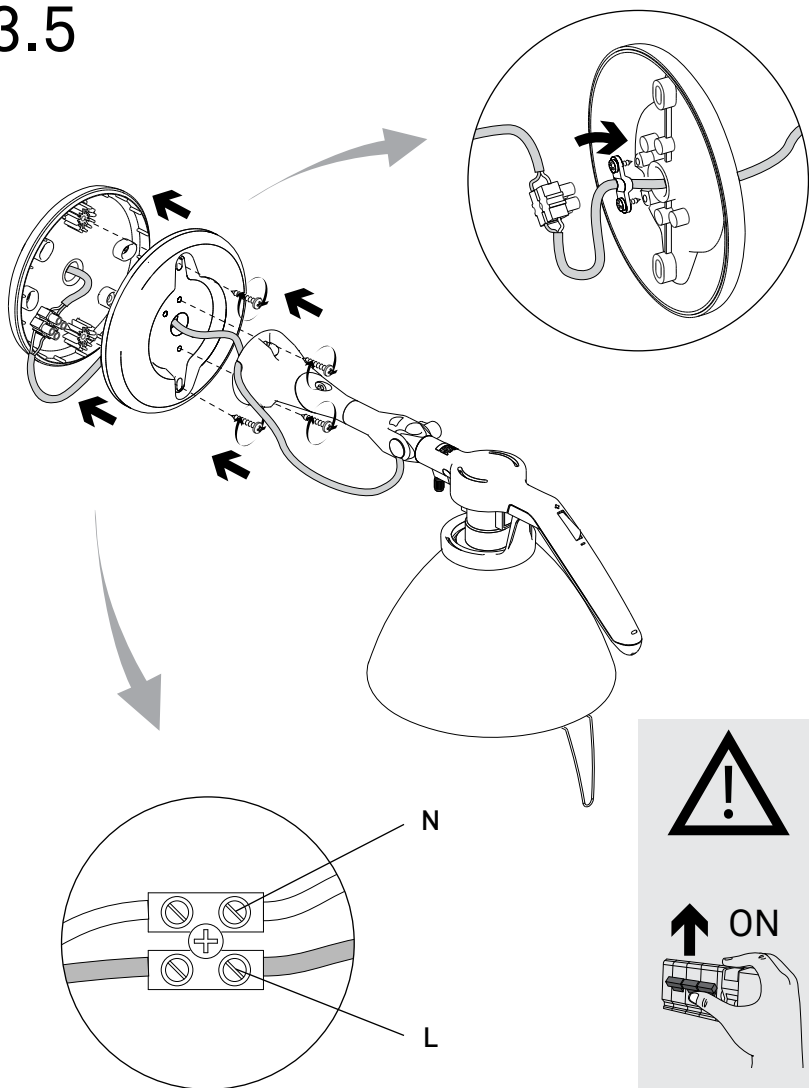
17

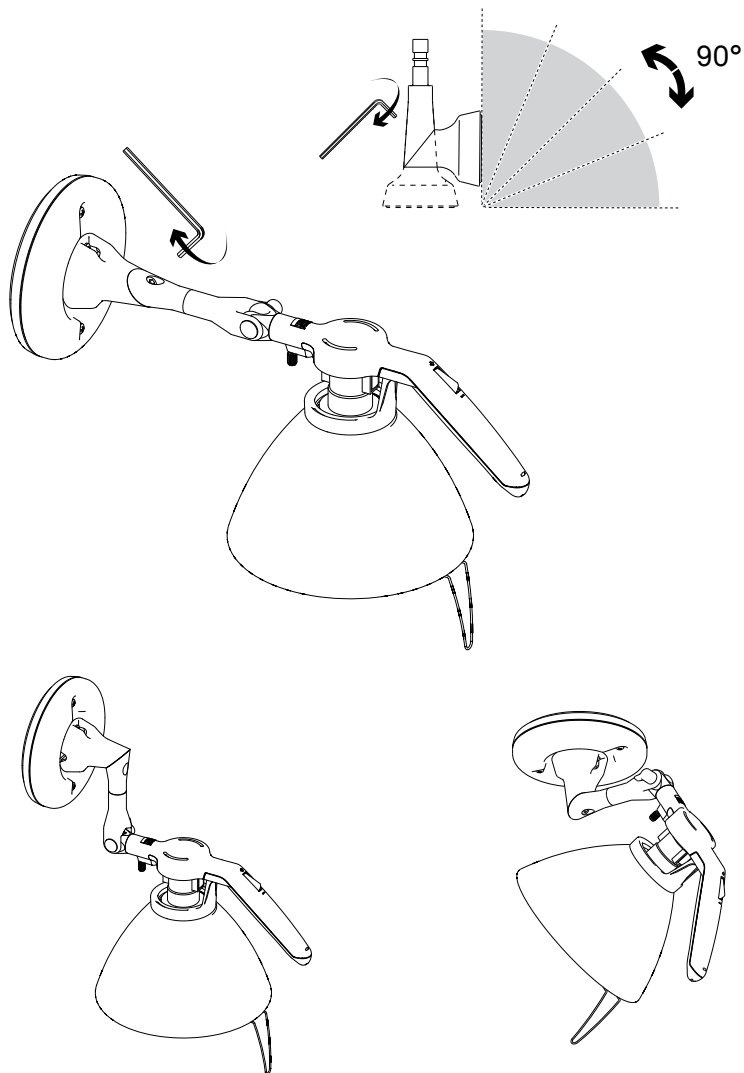


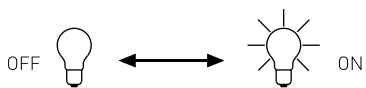
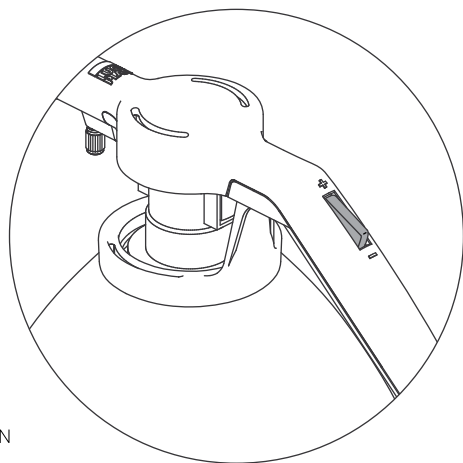
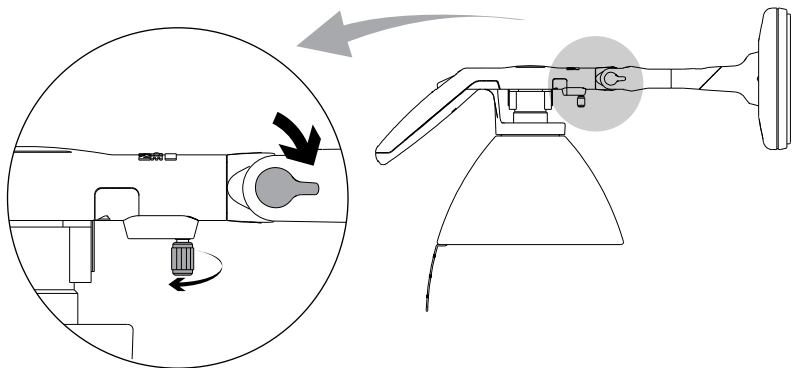
3.4



3.5









Luceplan Spa
Via E.T. Moneta 40
20161 Milano
Italia
T +39 02662421
F +39 0266203400
info@luceplan.com

Luceplan USA
14 Wooster Street
New York, NY 10013
infous@luceplan.com

www.luceplan.com



Quality System
Certificate
UNI EN
ISO 9001

D330I0217